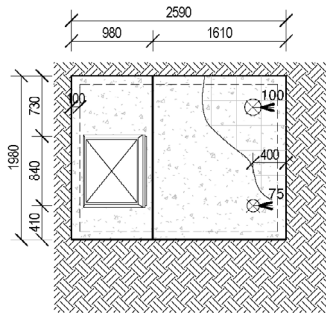


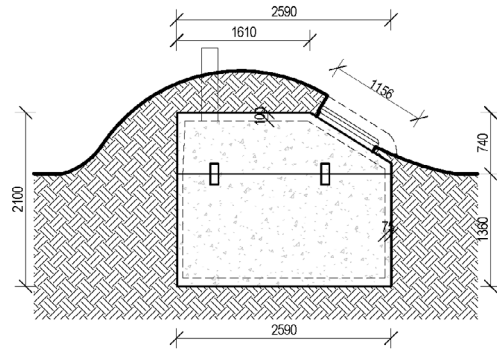
Storage Unit Specifications

**WILDFIRE
SAFETY BUNKERS**

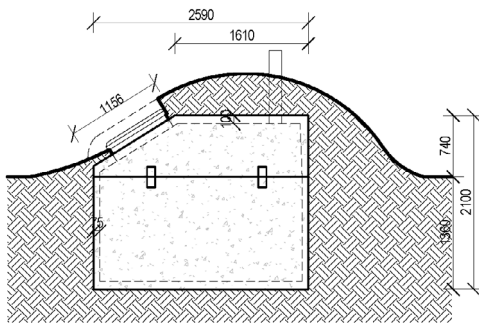
Storage Unit Dimensions



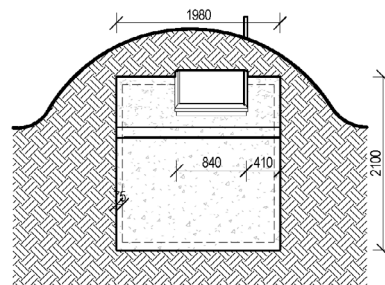
PLAN VIEW



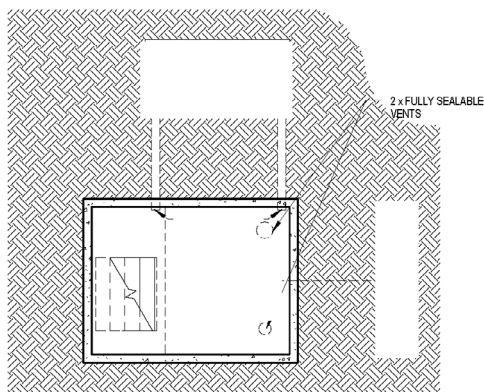
SIDE ELEVATION 1



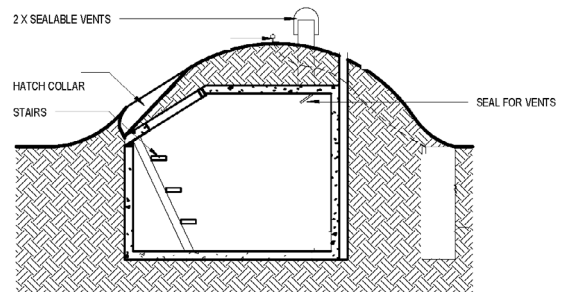
SIDE ELEVATION 2



FRONT ELEVATION



HORIZONTAL SECTION



VERTICAL SECTION

Wildfire Safety Bunkers

Lot 4/8-10 Simcock St
Somerville, Victoria 3912

PO box 1225,
Mornington, Victoria 3931

P 1800 559 859
E sales@wildfiresafetybunkers.com.au